



OS003 Omni Sound Source

Features:

- Professional equipment for architectural acoustics testing
- Lightweight and durable design, easy to handling and transport
- 12-sides design to ensure high quality acoustic performance
- Diameter: 285mm include loudspeaker
- Weight: 5.3kg (without base support), 6.3kg (include base support)
- Recommended accessory:
 - Amplifier: YAMAHA P2500S
 - Software: VA-Lab Arch



Application:

- Building acoustic measurement according to ISO 140, ISO 3382 and GB/T 19889

Introduction

OS003 is the latest development of omnidirectional sound source of BSWA. The sound source has 12 rubidium magnet loudspeakers assemble on a 280mm diameter sphere evenly. The angle between each axes of loudspeakers exactly the same to form a regular 12-sides structure. Each loudspeaker was selected via a careful process. The special electrical connection ensures the phase synchronization of each unit and guarantees the impedance match the power amplifier. Such design and implementation lead to a stable spherical radiation sound source.

OS003 comply with ISO 140-3 (GB/T 19889.3), ISO 140-4 (GB/T 19889.4) and ISO 3382-1 standard. Sound source can reach 120dB (Pink) sound power level with amplifier YAMAHA P2500S.

OS003 can be hang in a test chamber by rings or fixed in a special tripod (option). The metal lifting handle make it easy to transport and handling.

Compare to previous generation product, the new **OS003** is smaller size, lighter weight and more compact. Easy to carry out reverberation time, sound insulation and other building acoustics testing.

Specifications

Standards	ISO 140-3, ISO 140-4, ISO 3382-1, GB/T 19889.3, GB/T 19889.4
Impedance	6Ω
Rated Power	200W
Frequency Range	100Hz ~ 16kHz
Sound power level	120dB (Pink)
Audio Connector	SPEAKON socket
Loudspeaker Units	Rubidium magnet loudspeaker, 4 inch, 8Ω, 50W
Diameter	285mm (include loudspeaker), 280mm (only sphere body)
Weight	5.3kg (without base support), 6.3kg (include base support)
Package Dimension	W505mm x H385mm x D375mm



Performance Chart

Fig.1 Frequency response for 1/3 octave sound power level using power amplifier YAMAHA P2500S with pink noise

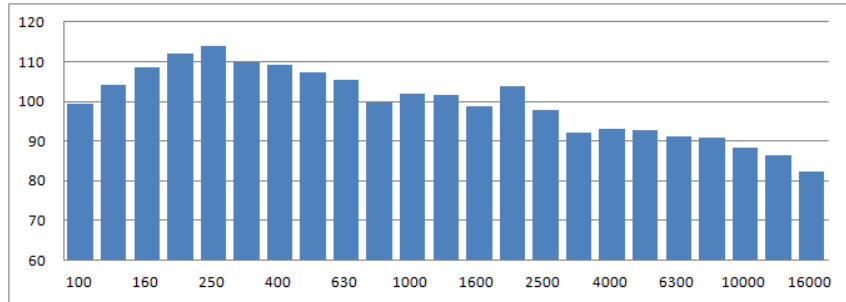


Fig.2 Frequency response for 1/1 octave sound power level using power amplifier YAMAHA P2500S with pink noise

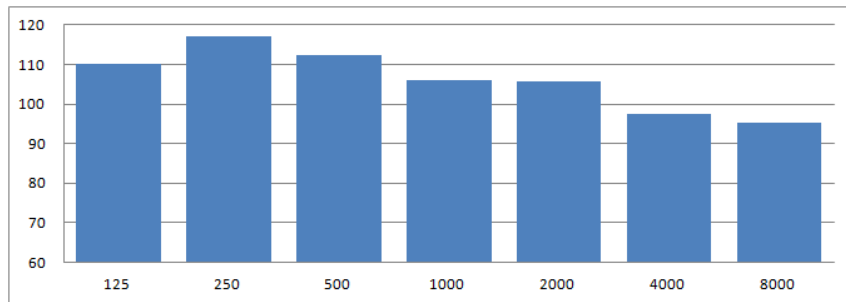


Fig.3 Directivity according to ISO 140: maximum deviation from mean for 'gliding' 30°arc. Upper and lower curves are the ISO 140 tolerances

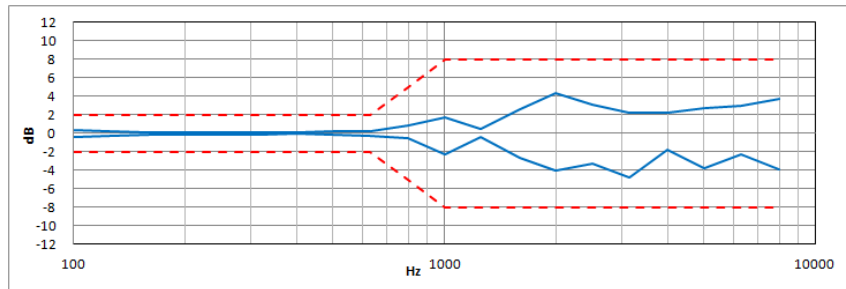


Fig.4 Directivity according to ISO 3382: maximum deviation from mean for 'gliding' 30°arc. Upper and lower curves are the ISO 3382 tolerances

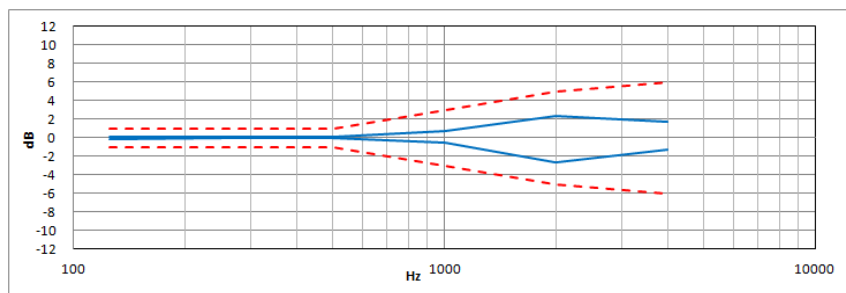
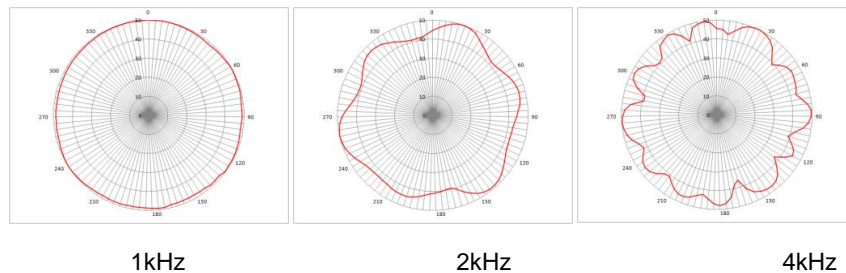
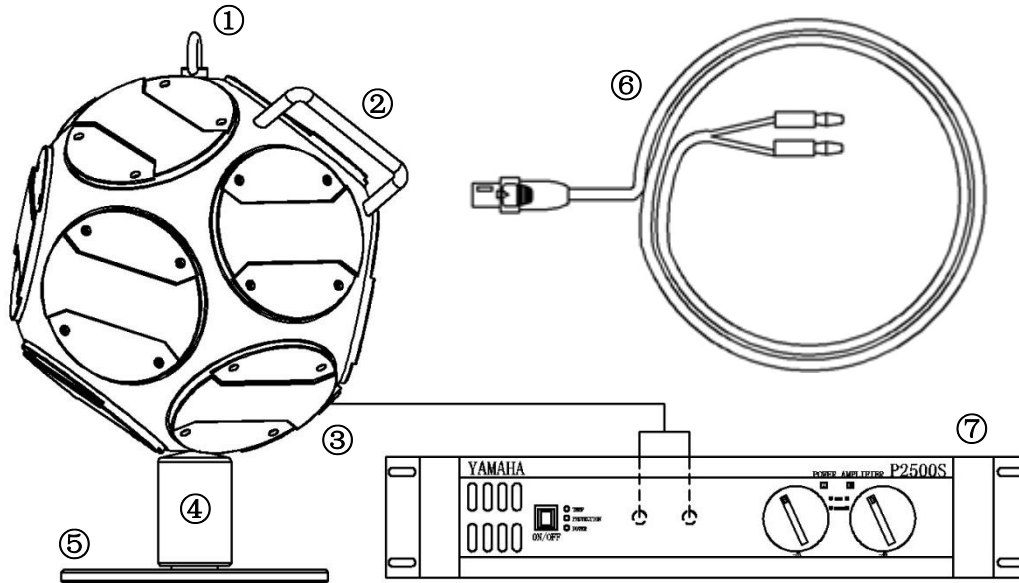


Fig.5 Directional response for the horizontal plane. Below 1 kHz there is no significant deviation from omnidirectional





Hardware



- ① Ring
- ② Lifting Handle
- ③ SPEAKON Socket
- ④ Base Socket
- ⑤ Base Support
- ⑥ Audio Cable (SPEAKON plug to Banana plug)
- ⑦ Power Amplifier (option)
- ⑧ Tripod (option)



BSWA Technology Co., Ltd.

Room 1003, North Ring Center, No.18 Yumin Road,
 Xicheng District, Beijing 100029, China
 Tel: 86-10-5128 5118
 Fax: 86-10-8225 1626
 E-mail: info@bswa.com.cn
 URL: www.bswa-tech.com

